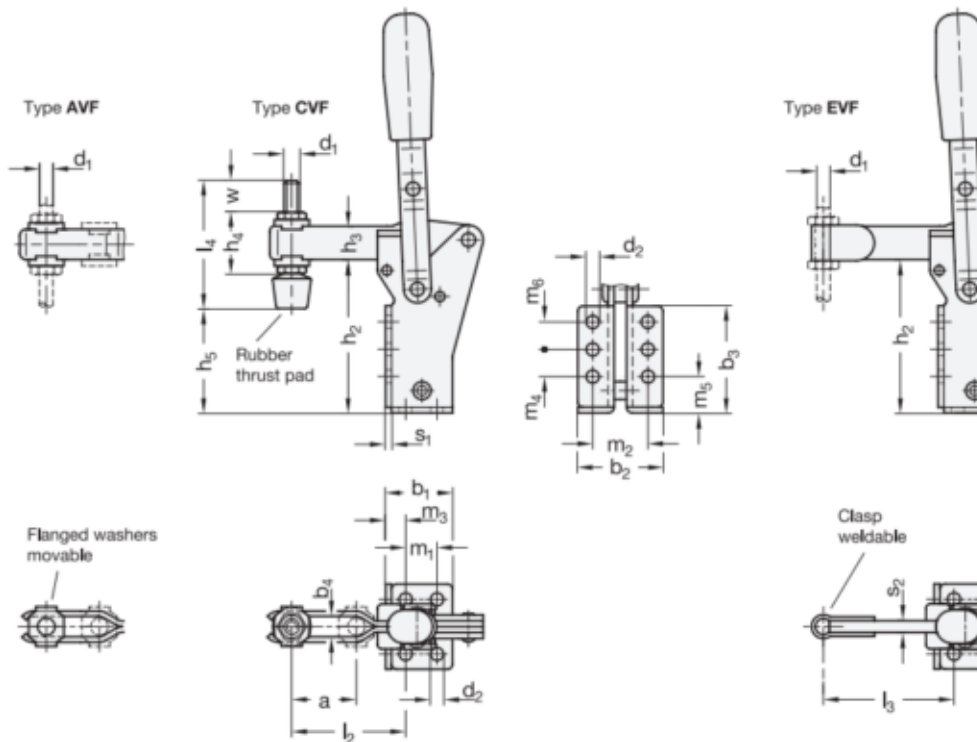


Data Sheet



Article number: 208121230AVF
 Description: E+G vertical clamps
 GN 812.1-230-AVF

Measures



b1 = 35.5	h3	= 18	m3	= 11
b2 = 38	h4	= -	m4	= 16
b3 = 51	Holding force in N	= 2200	m5	= 11
b4 = 8.5	l1	= 111	r	= 103.5
d1 = M 8	l2	= 66.5	S1	= 3
d2 = 6.5	l3 Max.	= -	S2	= -
h1 = 222	m1	= 16	Weight in g	= 500
h2 = 87	m2	= 26		